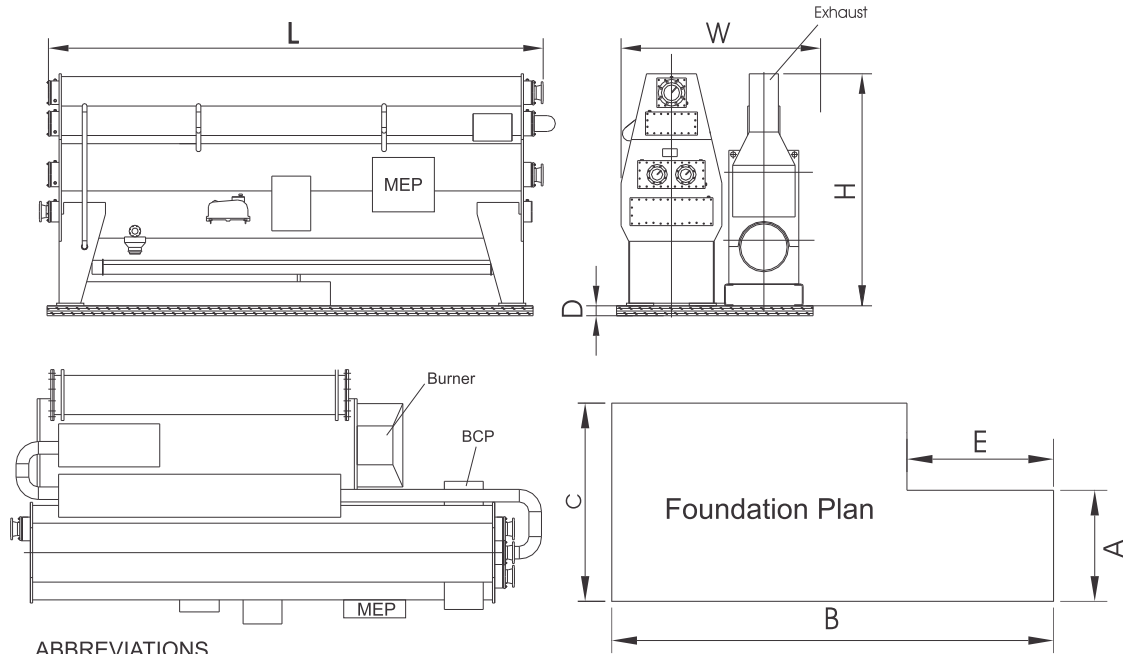


OVERALL DIMENSIONS AND FOUNDATION DATA



ABBREVIATIONS

MEP: Main Electrical Panel
BCP: Burner Control Panel

MODEL	SDF3 FS	SDF4 FS	SDF5 FS	SDF6 FS	SDF7 FS	SDF8 FS	SDF9 FS	SDF10 FS	SDF15 FS	SDF 20 FS	SDF25 FS	SDF30 FS	SDF35 FS	SDF40 FS	SDF45 FS	SDF50 FS	SDF60 FS	SDF80 FS	SDF100 FS
A (m)	1.3	1.3	1.3	1.3	1.3	1.3	1.3	1.3	1.3	1.3	1.5	1.43	1.47	1.5	1.5	1.64	1.63	2.00	2.00
B (m)	2.5	2.5	2.5	3	3	3.5	3.5	3.5	4.5	5.3	5	5.5	6.1	6.5	6.5	6.5	6.5	6.5	6.5
C (m)	3	3	3	3	3	3.2	3.2	3.5	3.8	3.8	3.9	3.9	3.9	4	4	4.3	4.73	4.73	4.74
D (mm)	50	50	50	50	50	50	50	50	50	50	50	50	50	50	50	50	50	50	50
E (mm)	550	550	550	650	650	700	700	800	800	800	800	800	1000	1000	1000	1000	1000	1000	1000
L (m)	2.5	2.5	2.5	3	3	3.5	3.5	3.5	4.5	5.3	5	5.5	6.1	6.5	6.5	6.5	6.5	6.5	6.61
W (m)	2.8	2.8	2.8	2.9	2.9	2.9	3	3.3	3.6	3.6	3.7	3.8	3.8	3.9	4	4.2	4.17	4.53	4.53
H (m)	2.3	2.3	2.3	2.3	2.3	2.3	2.3	2.3	2.3	2.3	2.75	2.9	2.95	2.95	3.1	3.3	3.3	4.00	4.00

Note: Specifications subject to change without prior notice.

Table:3